



Quina Spider Grey

MAAMI
HOME

Quina Spider Grey – at its foundation lies the Spider Grey Base, a marvel of nature’s craftsmanship. The marble captivates with its intricate web-like patterns, reminiscent of fine lace delicately woven by time itself. Crowning this exquisite base is the Grey Glass Table Top, a seamless union of modern aesthetics and timeless allure.



Name Quina Spider Grey
Category Side Table
Designer Mónica Oliveira
Year 2024

Materials & finishing Marble legs have honed matt finish produced with 5-axis CNC machine. The glass table top in tempered glass.

Production details The legs of the table are obtained from marble slabs using CNC machine with 5 cutting axes then the legs are hand finished.

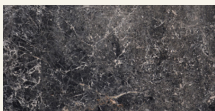
Dimensions (cm) H50 x W24

Weight (kg) 19,85

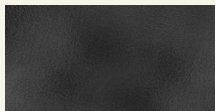
Cleaning instructions Wipe with a damp cloth, or just a soft dry cloth. Do not use any type of detergent that can mark the stone and metal.

Packaging dimensions (cm) 49.5 x 38.5 x 71

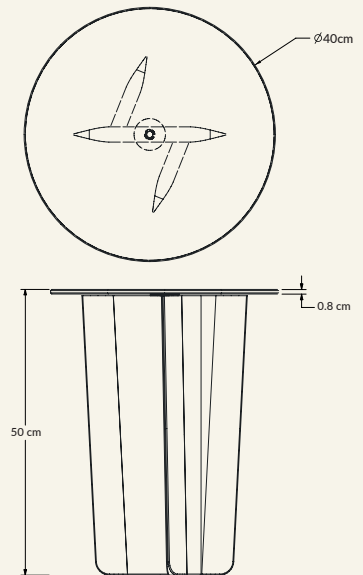
Packaging weight (kg) 30,19



Spider Grey



Tempered Glass



+351 220 924 778 (Portugal landline call)
info@maamihome.com

www.maamihome.com