



mini FIORE Green

MAAMI
HOME

mini FIORE lamp is a design object born as a continuation of the award-winning lamp Fiore. Created by renowned Portuguese designer Fabio Teixeira, mini FIORE collection is exploring a fusion between colourful marble and a light aluminium base.



Name mini FIORE Green

Category Lighting

Designer Fábio Teixeira

Year 2024

Materials & finishing The lamp top is made from natural stone with a honed finish. The aluminum is turned in the lathe machine and coated.

Production details The stone is shaped using 5 axis CNC machines and hand-finished by artisans. The aluminum leg is made with lathe machine followed by coating process.

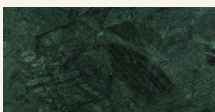
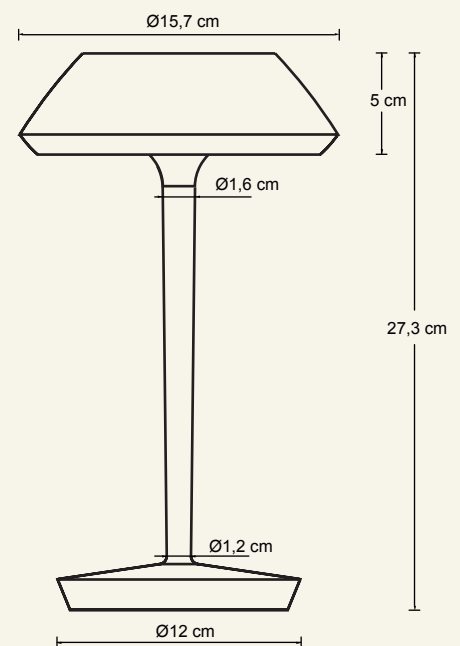
Dimensions (cm) H27.3 c x Ø15.7

Weight (kg) 1.9

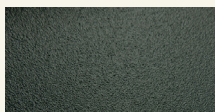
Cleaning instructions Wipe with a damp cloth, or just a soft dry cloth. Do not use any type of detergent that can mark the stone and metal.

Packaging dimensions (cm) 20,5 x 22,5 x 35,5

Packaging weight (kg) 3,25



Green Guatemala



Coated aluminium

+351 220 924 778 (Portugal landline call)
info@maamihome.com

www.maamihome.com