



Malga S Calacatta Viola

MAAMI
HOME

MALGA S Calacatta Viola was designed to be a multifunctional piece. With a name deeply rooted in the imagery of Portuguese serving objects. MALGA S can be used as the star of a table centerpiece or to store objects that bring the spirit of the festive season to the interiors.

Carved out of one single block, MALGA S Calacatta Viola features rounded shapes with gracefully carved handles for added convenience and aesthetics. Crafted in Calacatta Viola, a luxurious natural stone with contrasting dark violet veins against a white background.



Name Malga S Calacatta Viola

Category accessories

Designer Fábio Teixeira

Year 2020

Materials & finishing Honed marble with matte finish.

Production details Object cutted in CNC and finished by hand.

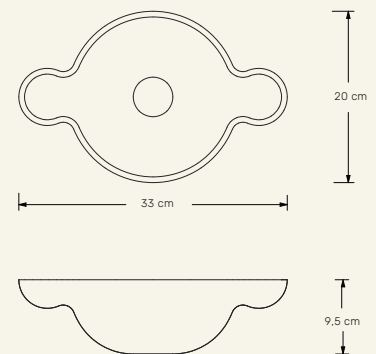
Dimensions (cm) H9,5 x L33 x D20

Weight (kg) approx 2,5

Cleaning instructions Wipe with a damp cloth, or just a soft dry cloth. Do not use any type of detergent that can mark the stone.



Calacatta Viola



+351 220 924 778 (Portugal landline call)

info@maamihome.com

www.maamihome.com