

CATA

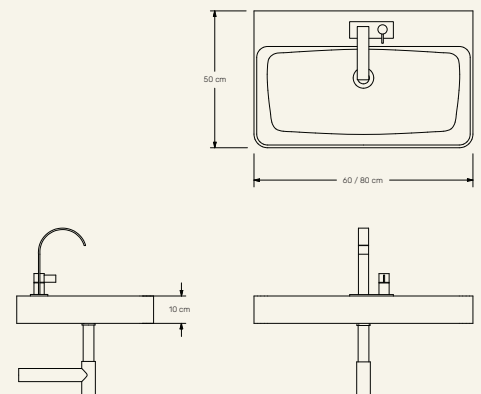


STAND ALONE CONCEPTS

MAAMI
HOME

CATA washbasin pays tribute to the marble stone in its overall versatility. Often seen as a cold matter, marble assumes in CATA a relevance that elevates its ultra-pure essence.

CATA is an upcycled product created from the waste of multiple noble stones and is a decorative and artistic object. Its appearance is inspired by the most common shapes of ceramic washbasins.



Name Cata **Designer** Fábio Teixeira, 2016

Materials & finishings Sink in marble with honed matte finish.

Instalation stand alone **Production details** Washbasin obtained from a single piece of marble CNC carved.

Dimensions (cm) H10 x L80 x D50 **Weight** (kg) approx 60