



Bari Trolley

MAAMI  
HOME

Featuring a sleek design and unique Pocahontas marble shelves, this versatile trolley combines elegance with functionality. Easy to move and perfect for displaying or serving, Bari adds style to any room.



**Name** Bari Trolley  
**Category** Accessory  
**Designer** Mara Soares  
**Year** 2024

**Materials & finishing** Metal structure with hand-finished marble tops.

**Production details** The stone is shaped using 5 axis CNC machines and hand-finished by artisans. The metal structure is made from lacquered iron.

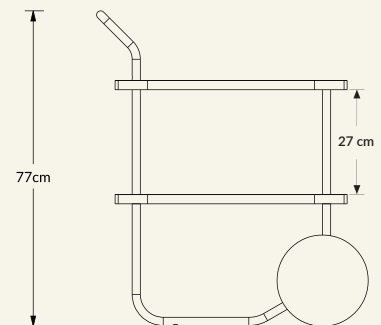
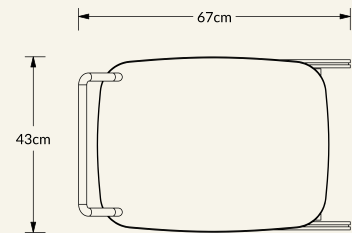
**Dimensions** (cm) H77 x W67 x D43

**Weight** (kg) 43 approx

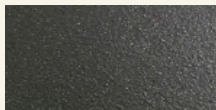
**Cleaning instructions** Wipe with a damp cloth, or just a soft dry cloth. Do not use any type of detergent that can mark the stone and metal.

**Packaging dimensions** (cm) 77 x 53 x 100,5

**Packaging weight** (kg) 50 approx



Pocahontas



Lacquered Iron

+351 220 924 778 (Portugal landline call)  
info@maamihome.com

[www.maamihome.com](http://www.maamihome.com)